



YLI ELECTRONIC



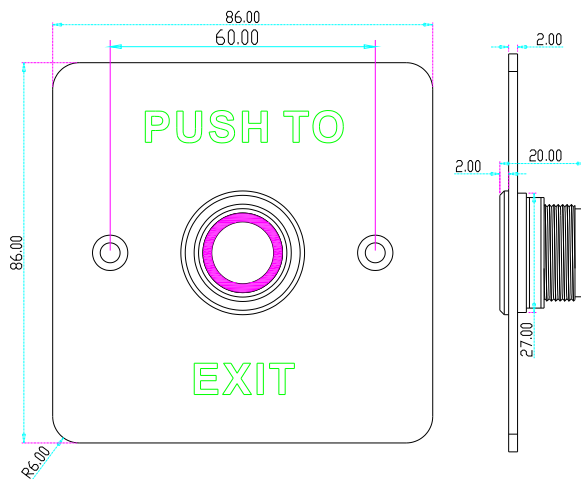
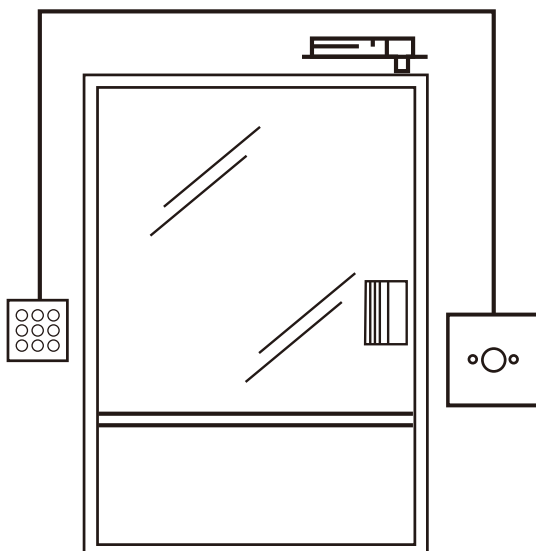
Piezoelectric Exit Button(Stainless)

Model: PBS-820C(LED)

Specification

- Dimensions:86Lx86Wx20H(mm)
- Voltage:DC12V
- Current:Standby 20mA
- Output Contact:NO/COM
- Current Rating:1A@30VDC 0.5A@125VDC
- Waterproof Level:IP-65
- Operating Temperature: -20°C ~50°C
- Operating Humidity: 0%~99%
- LED Status: Red: Standby Green : Operation
- Wire color: Red: Positive Black: Negative
- White: NO/COM
- Weight:0.2kg

Installation & Size



Wiring Diagram

